

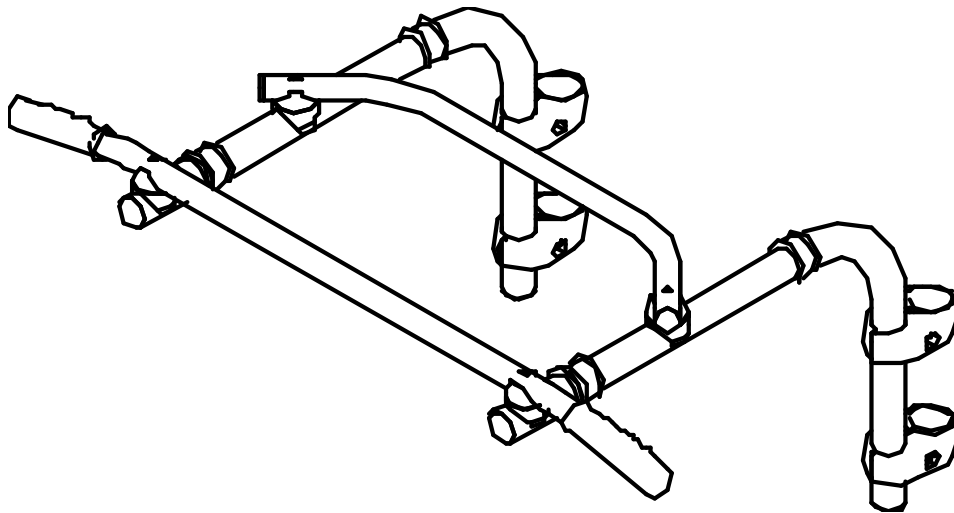


MOVABLE FRAME “G1”

DSK-BO 92.56.G1.490.03

FOR CHILDREN’S HOME PLAYGROUND SET series name: SPIDER-WALL

Operating Manual



MANUFACTURER: ZAO “Zavod igrovogo sportivnogo oborudovaniya”
Montazhnyi proezd, 6, Cheboksary, Chuvashskaya Republic, Russian Federation 428037

IMPORTER: “KIDS AND FITNESS INC.”, 140 RIDGEWOOD AVE. SUIT 415, PARAMUS, NEW JERSEY 07652,
+1(201)477.05.02, INFO@FITNESS-KIDS.COM

WARNING!

Please follow all these Safety,
Assembly and Maintenance
Instructions.

Failure to do so could result
in serious or fatal injury. If
you have any questions about
the safe use of your purchase,
contact

“Kids and Fitness Inc.” at
+1(201)477.05.02

NOTICE

**Not for public use - for
residential use only.
Intended for use by
not more than 1 child.**

NOTE TO INSTALLER

You must assemble this product in accordance with the assembly instructions in this Operating Manual. After assembly is complete, please give this Operating Manual, as well as any tools provided, to the owner of the product. Please remind the owner to review the Safety and Maintenance Instructions.

Thank you

**for purchasing Movable Frame “G1” for Children’s home
playground set series name “SPIDER-WALL”
(hereinafter referred as FRAME)
from “Kids and Fitness Inc.”**

PLEASE...

Keep a copy of this Operating Manual and your order with your important documents during all the time of using the FRAME. They should not be discarded as they all contain important information. You will need to refer to these items if you contact “Kids and Fitness Inc.” about your FRAME. Should you transfer your “Kids and Fitness Inc.” products to another person, please be sure the new owner receives all these documents.

Table of content:

1. Safety Instructions	-3	5. Operation instruction	-6
2. Introduction	-4	6. Transportation and storing	-7
3. Assembly Instruction	-5	7. Utilization	-7
4. Maintenance instruction	-6	8. Warranty	-7

SAFETY INSTRUCTIONS



Please thoroughly read this Operating Manual (hereinafter referred as "OM") to become familiar with the assembly, order, safe use, maintenance, transportation and storage of the FRAME. Observing the following statements and warnings reduces the likelihood of serious or fatal injury.

Assembling, disassembling and installation of the FRAME must be done after careful studying the OM and in strict succession to the instructions, given in OM.

The FRAME is designed for the children of age group **6-14 years old**.



In order to avoid serious or fatal injury IT IS PROHIBITED:

- attendance and participation of children in assembling, disassembling and installation of the FRAME;
- to adjust FRAME by the children;
- to use FRAME by the children without adult supervision;

 WARNING
CHILDREN SHOULD USE THE FRAME UNDER ADULT SUPERVISION

- to use FRAME by the children without using appropriate shock-absorbing protective surfacing materials (for your reference see extract from the section 4 of the Consumer Products Safety Commission's "Outdoor home playground safety handbook" in Appendix 1.);

 WARNING
USING THE FRAME WITHOUT APPROPRIATE SHOCK-ABSORBING PROTECTIVE SURFACING MATERIALS MAY RESULT IN SERIOUS INJURY OR DEATH FROM FALLS

- to use FRAME by more than 1 child (weight less than 220 lbs) simultaneously.

Safety of the FRAME if verified by:

- TÜV NORD – European Union inspection and testing organizations (www.tuv-nord.com), Certificate No. 44 321 07 343073 from 9th of March 2007.
- State Standard of Russian Federation, Certificate No. "ROSS RU.AE83. B24173 from 20th of October 2009";

TEACH YOUR CHILD SAFE PLAY:

- ☞ Not to walk close to, in front of, behind, or between moving items.
- ☞ Not to twist the swing ropes, or swing empty swing ropes, or loop them over the top support bar, since this may reduce the strength of the rope.
- ☞ Not to swing sideways into the path of adjacent swings.
- ☞ Not to use the equipment in a manner other than that for which it is intended.
- ☞ Not to get off the equipment while it is in motion.
- ☞ Not to climb or swing with wet hands or when the equipment is wet (for ex. after moist cleaning).
- ☞ Not to stand in the rings.
- ☞ Not to use hammers, saws, nails, or wrenches on the equipment.
- ☞ Not to climb on top of the swing support.
- ☞ Not to attach to the playground equipment any item that is not specifically designed for use with the equipment, such as (but not limited to) jump ropes, clotheslines, pet leashes, cables, and chains. These may become strangulation hazards.
- ☞ To watch for other children while swinging or playing near the equipment.

IN ADDITION, ADULTS MUST:

- ☞ Limit climbing and swinging heights to each child's ability.
- ☞ Dress children appropriately for play. Use wellfitting shoes that do not have slippery soles. Avoid ponchos, scarves, hoods, loose-fitting clothing, neckties, and any clothing with a drawstring. Serious injury could result should any part of the children's clothing become entangled in the equipment.

 WARNING
STRANGULATION HAZARD!
Children have died when drawstrings on their clothing caught on slides or other playground equipment. Remove ponchos, scarves, hoods, loose-fitting clothing, neckties, and any clothing with a drawstring before children play on the PLAYGROUND SET

- ☞ Verify that suspended climbing ropes are secured and cannot be looped back on itself.
- ☞ Remember that children are inventive. When they develop games that are unsafe, be alert and change the rules.

INTRODUCTION

1. DESTINATION OF THE FRAME

1.1. The FRAME is designed for play exercises inside households. It is not intended for use in places of public assembly such as schools, parks, condominiums, churches and temples, and child care centers

1.2. The FRAME is intended to be installed to the Children's home playground set series name "SPIDER-WALL", modifications numbers: DSK 2.05.XX & DSK 4.02.XX RE, (hereinafter referred as PLAYGROUND SET) from "Kids and Fitness Inc."

2. SPECIFICATIONS

Table 1

Overall dimension, in	Length	2'0,0"
	Width	2'6,6"
	Height	1'1,3"
Weight net, lb, not more than		13
Maximum working load, lb		220
Minimal age of child		6 years old
Durability (not less than)		5 years



3. EQUIPMENT

3.1 Configuration.

3.1.1 FRAME is a mountable-and-dismountable frame construction consisted of metal tubes.

- The FRAME must be installed to the stanchions of PLAYGROUND SET for using. The height of installation is determined individually depends on the height of user.

3.2 Information about materials used and performance.

All material used for manufacturing of FRAME are approved for use in children's products manufacturing and have sanitary-epidemiology conclusions of Russian Federation authority and hygiene certificate.

Paints and finishes used on FRAME are in accordance with 16 CFR 1303.

These material were tested concerning lead content in metal and lead in paint in compliance with requirements of CPSIA and were recognized as satisfying these requirements (please see the Certification of Compliance).

In compliance with the requirements of 16 CFR 1500.48, 1500.49 & 1500.53 having followed assembly of the unit in accordance with the OM, there will be no sharp edges, points, or surfaces on any portion of the FRAME capable of inflicting a cut on a child. All open tubing ends that are not resting on the surface, or otherwise covered, is provided with caps or plugs that have a smooth finish and are tight-fitting.

There is no pinch, crush, or shear, points caused by junctures of two components moving relative to one another that could cause a contusion, laceration, abrasion, amputation, or fracture.

There are no acute angles, or group of acute angles, formed by two or more members in which the legs point upward from the apex so that the configuration approximates a "V" with an interior angle less than 55° (0.96 rad).

4. BASE CONFIGURATION

Base configuration of the FRAME reflected in the Tables 2 and 3.

Table 2

No.	Assembly units and details		
	Code	Description	Quantity, pcs.
9*	DSK 05-011	Case	4/0
10*	DSK 05-012	Closing plug	4/0
26	DSK-BO 039.00	Neck	1
28	DSK42x33,5 Al.001	Clamp	8
33*	DSK 05-043	Half-bush	8/0
38	DSK 05-072	Half-ring 33.5	8
46	DSK 05-073	Half-ring 42	8
49	DSK 05.069.00	Reel-Clips	6
52	DSK 01.146.00	Crossbar with plugs	1
53	DSK 01.145.00	Jib	2
54	DSK 05.060.01	Half-clamp 25	4
55	DSK 05.060.02	Half-clamp	4
Standard details			
61*	Bolt M8-8gx45.58.016 (45 mm)		2/0
65	Bolt M8x75.58.016 (75 mm)		4
70	Screw M8x50.58.016 (50 mm)		4
75*	Nut M8.4.016		10/8
81*	Washer 8.04.016		8/4
85	Washer 8N 65G		4
91	Closing plug №13		8
	Hex-nut wrench S=6mm**		1
	Face wrench S24mm**		1
Documentation			
	Operating Manual		1

* does not included into the order of the FRAME with modifications DSK-N-02.01, DSK-S-2.09.XX, DSK-P-2.09.XX

** does not included into the order when the FRAME is delivered as the part of the PLAYGROUND SET.

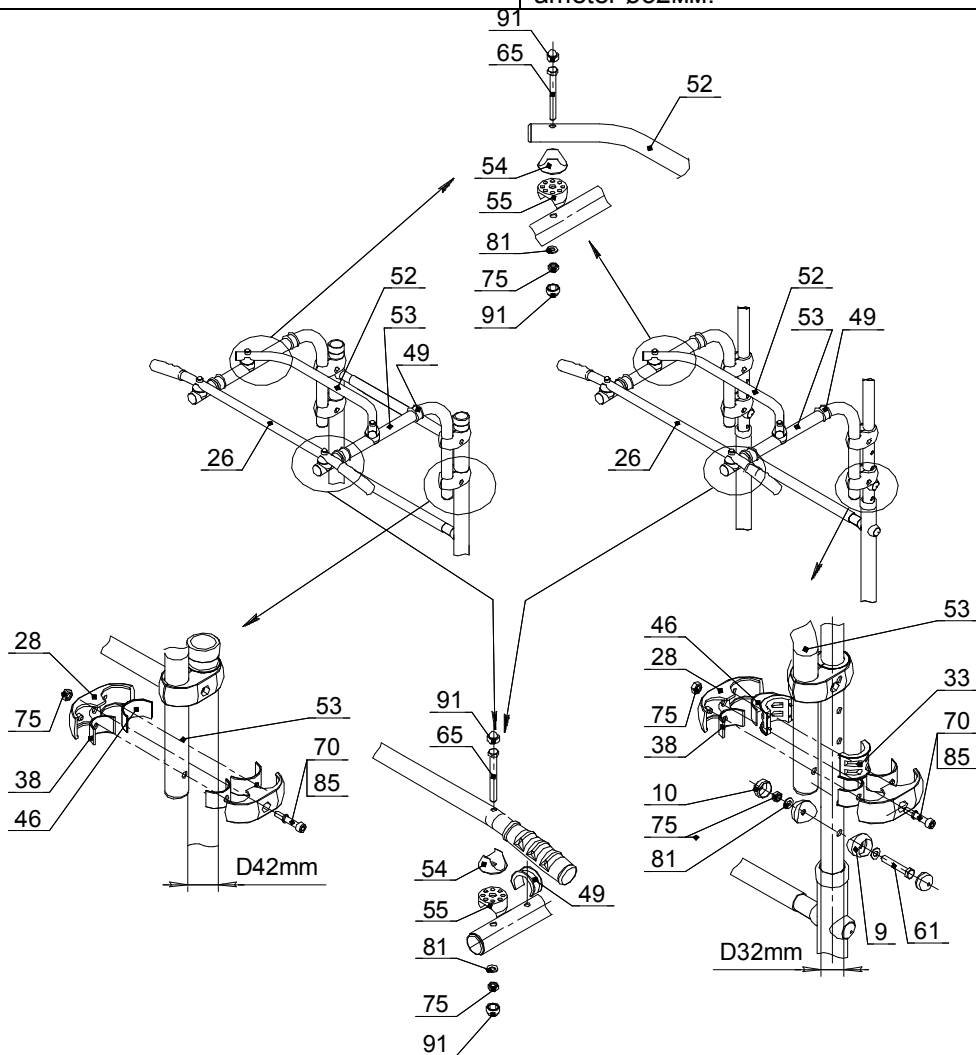
ASSEMBLY INSTRUCTION

- 5.1. Unpack the FRAME. To avoid danger of suffocation, remove the plastic covers from all components before using them. This cover should then be destroyed or kept away from children.
- 5.2. Put components on preliminary prepared place (a table, a place on floor). Inventory your package. Make sure that package contents match the base configuration of your FRAME.
- 5.3. Assemble and install the FRAME in accordance with the Picture 1 below.

Attention!! The FRAME should be installed in such a way that the Clamps (Item 28, 31 Table 2) would lean either on the preliminary installed fasteners or on bushes or on crossbars when you fix the FRAME to the PLAYGROUND SET's stanchions.

Sample of assembly of the FRAME when you fasten the Clamps (Item 28, 31 Table 2) to the tubes with the diameter $\varnothing 42\text{mm}$.

Sample of assembly of the FRAME when you fasten the Clamps (Item 28, 31 Table 2) to the tubes with the diameter $\varnothing 32\text{mm}$.



Pic. 1

MAINTANANCE INSTRUCTION

6. Check and control of metal constructions of the FRAME:

Before using the FRAME it's always necessary to check:

- Integrity of the construction, presence of all elements of the FRAME;
- Presence of protective plastic plugs and cups on the holders and fasteners where it's provided by the OM;
- Stability of the FRAME and security of the fixing to the PLAYGROUND SET.

Periodically, **at least once a month**, tightening of fastening and threaded joints should be inspected.

FAILURE TO REGULARY INSPECT AND CHECK THE FRAME MAY RESULT IN ITS FALL!!!

7. Adjustments.

7.1.1 When fastening joints get loose you must tighten them using standard tools.

7.1.2 Install or change closing plugs / plastic cups that cover threaded details when necessary.

7.1.3 All wrecked components must be changed for analogues new ones, produced by the Manufacturer of the FRAME.

7.1.4 Self-producing of any components of the FRAME is prohibited. Changing wrecked components of FRAME for self-produced components is prohibited.

It is prohibited to use the FRAME if one of the defects above is determined untill the complete elimination of the defect.

OPERATION INSTRUCTION

8.1 Safety precautions.

8.1.1 Total load applied to the FRAME (including on separate suspended rig) during normal use should not exceed 220 lbs, unless different is stated in the OM of this rig.

8.1.2 To reduce the likelihood of serious injuries it is essential to install shock-absorbing protective surfacing under and around your FRAME during the time of using it. The size of such shock-absorbing protective surfacing should be not less than (3.3 x 3.3 x 0,3) ft. The use area should be free of other equipment and obstacles onto which a child may fall.

8.1.3 Keep a copy of this OM with your important documents during all the time of using the FRAME.

8.2 Operation instructions.

8.2.1 **WARNING! Children should use the FRAME under adult supervision.**

8.2.2 Only one child at a time should use this FRAME.



Failure to follow safety precautions and operation instructions could result in serious or fatal injury!!

TRANSPORATION AND STORING

9.1 FRAME is transported in manufacturer's packaging via any transport providing it's safety.

9.2 Before installation to the permanent place the FRAME should be kept in the manufacture's package in closed dry place with natural air ventilation.

UTILIZATION

10.1 Before sending the FRAME to utilization it's necessary to:

- Dissemble the FRAME in the order inverted to the assembly order;
- Sort details on the type of materials they manufactured of.

10.2 There are no dangerous or hazardous for health and life substances in the components of FRAME.

10.3 Utilization should be conducted in accordance with appropriate rule and regulations of your region/state.

WARRANTY

11.1 Manufacturer guarantees that the FRAME is in compliance with the technical conditions requirements of TU 9610-002-49248007-2001 (Russian Federation standard), GOST 25779 (Russian Federation standard), DIN EN 71-1:2006, DIN EN 71-3:2002, DIN EN 71-8:2006 when rules of transportation, storing, installation and operation are observed.

11.2 Warranty period of the FRAME is 12 (twelve) months since the date of purchase.

11.3 The warranty does not cover the FRAME if:

- It was damaged during transportation by the customer;
- rules of transportation, storing, installation and operation, stated in this OM, were not observed.

CERTIFICATE OF MANUFACTURER'S QUALITY CONTROL

FRAME for the Children's home playground set series "SPIDER-WALL" is packed in accordance with requirements of TU 9610-002-49248007-2001.

Packager

Personal stamp

CERTIFICATE OF WORK ACCEPTANCE

FRAME for the Children's home playground set series "SPIDER-WALL" design

DSK-BO 92.56.00

Comply with technical conditions requirements TU 9610-002-49248007-2001(Russian Federation standard), GOST 25779 (Russian Federation standard), DIN EN 71-1:2006, DIN EN 71-3:2002, DIN EN 71-8:2006 and recognized as serviceable.

Manufacturing date « ___ » _____ 2012.

Controller from **Quality control** Stamp **Quality control**