



CHILDREN'S HOME PLAYGROUND SET
series name:

Pull-up bar
DSK-1-7.02-48 and 1-8.02-48
Operating Manual

MANUFACTURER: Recreation and Sports Equipment Plant, CJSC
Montazhny proezd, 6b, 428037 Cheboksary, Chuvash Republic, Russian Federation

IMPORTER: "KIDS AND FITNESS INC.", 140 RIDGEWOOD AVE. SUIT 415, PARAMUS, NEW JERSEY 07652,
+1(201)477.05.02, INFO@FITNESS-KIDS.COM

WARNING!

Please follow all these Safety, Assembly and Maintenance Instructions. Failure to do so could result in serious or fatal injury. If you have any questions about the safe use of your purchase, contact "KIDS AND FITNESS INC." at +1(201)477.05.02

NOTICE

Not for public use - for residential use only. Intended for use by not more than 1 child.

NOTE TO INSTALLER

You must assemble this product in accordance with the assembly instructions in this Operating Manual. After assembly is complete, please give this Operating Manual, as well as any tools provided, to the owner of the product. Please remind the owner to review the Safety and Maintenance Instructions.

Thank you

**for your purchase of Children home playground set series name "SPIDER-WALL"
(hereinafter referred as PLAYGROUND SET)**

PLEASE...

Keep a copy of this Operating Manual and your order with your important documents during all the time of using the PLAYGROUND SET. They should not be discarded as they all contain important information. You will need to refer to these items if you contact "LIMIKIDS INC." about your PLAYGROUND SET. Should you transfer your "LIMIKIDS INC." products to another person, please be sure the new owner receives all these documents.

Table of content:

| | | | |
|----------------------------|-----|-------------------------------|-----|
| 1. Safety Instructions | -3 | 5. Operation instruction | -13 |
| 2. Introduction | -4 | 6. Transportation and storing | -14 |
| 3. Assembly Instruction | -7 | 7. Utilization | -14 |
| 4. Maintenance instruction | -13 | 8. Warranty | -14 |

Appendix 1. SECTION 4 OF THE CONSUMER PRODUCT SAFETY COMMISSION'S OUTDOOR HOME PLAYGROUND SAFETY HANDBOOK Select Protective Surfacing¹

1. One of the most important things you can do to reduce the likelihood of serious head injuries is to install shock-absorbing protective surfacing under and around your play equipment. The protective surfacing should be applied to a depth that is suitable for the equipment height in accordance with ASTM Specification F 1292. There are different types of surfacing to choose from; whichever product you select, follow these guidelines:

1.1 Loose-Fill Materials:

1.1.1 Maintain a minimum depth of 9 inches of loose-fill materials such as wood mulch/chips, engineered wood fiber (EWF), or shredded/recycled rubber mulch for equipment up to 8 feet high; and 9 inches of sand or pea gravel for equipment up to 5 feet high. NOTE: An initial fill level of 12 inches will compress to about a 9- inch depth of surfacing over time. The surfacing will also compact, displace, and settle, and should be periodically refilled to maintain at least a 9- inch depth.

1.2 Use a minimum of 6 inches of protective surfacing for play equipment less than 4 feet in height. If maintained properly, this should be adequate. (At depths less than 6 inches, the protective material is too easily displaced or compacted.)

NOTE: Do not install home playground equipment over concrete, asphalt, or any other hard surface. A fall onto a hard surface can result in serious injury to the equipment user. Grass and dirt are not considered protective surfacing because wear and environmental factors can reduce their shock absorbing effectiveness. Carpeting and thin mats are generally not adequate protective surfacing. Ground level equipment – such as a sandbox, activity wall, playhouse or other equipment that has no elevated play surface – does not need any protective surfacing.

1.3 Use containment, such as digging out around the perimeter and/or lining the perimeter with landscape edging. Don't forget to account for water drainage.

1.3.1 Check and maintain the depth of the loose-fill surfacing material. To maintain the right amount of loose- fill materials, mark the correct level on play equipment support posts. That way you can easily see when to replenish and/or redistribute the surfacing.

1.3.2 Do not install loose fill surfacing over hard surfaces such as concrete or asphalt.

1.4 Poured-In-Place Surfaces or Pre-Manufactured Rubber Tiles — You may be interested in using surfacing other than loose-fill materials – like rubber tiles or poured-in-place surfaces.

1.4.1 Installations of these surfaces generally require a professional and are not “do-it-yourself” projects.

1.4.2 Review surface specifications before purchasing this type of surfacing. Ask the installer/manufacturer for a report showing that the product has been tested to the following safety standard: ASTM F 1292 Standard Specification for Impact Attenuation of Surfacing Materials within the Use Zone of Playground Equipment. This report should show the specific height for which the surface is intended to protect against serious head injury. This height should be equal to or greater than the fall height – vertical distance between a designated play surface (elevated surface for standing, sitting, or climbing) and the protective surfacing below – of your play equipment.

1.4.3 Check the protective surfacing frequently for wear.

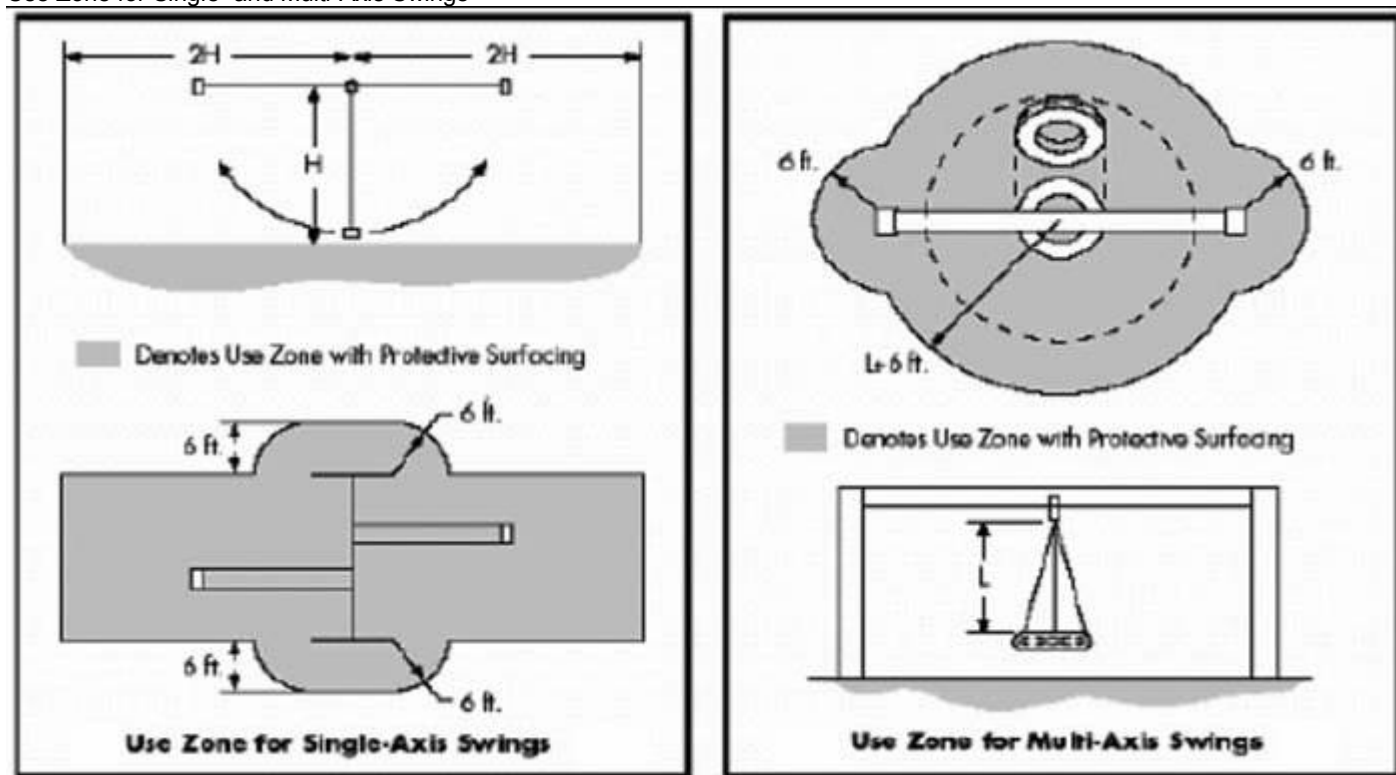
1.5 Placement — Proper placement and maintenance of protective surfacing is essential. Be sure to:

1.5.1 Extend surfacing at least 6 feet from the equipment in all directions.

1.5.2 For to-fro swings, extend protective surfacing in front of and behind the swing to a distance equal to twice the height of the top bar from which the swing is suspended.

1.5.3 For tire swings, extend surfacing in a circle whose radius is equal to the height of the suspending chain or rope, plus 6 feet in all directions.

Use Zone for Single- and Multi-Axis Swings



¹ More information re surfacing you can find in “Surfacing Materials for Indoor Play Areas- Impact Attenuation Test Report” issued by Consumer Products Safety Commission in December 2005.

SAFETY INSTRUCTIONS



Please thoroughly read this Operating Manual (hereinafter referred as “OM”) to become familiar with the assembly, order, safe use, maintenance, transportation and storage of the PLAYGROUND SET. Observing the following statements and warnings reduces the likelihood of serious or fatal injury.

Assembling, disassembling and installation of the PLAYGROUND SET must be done by not less than 2 adults after careful studying the OM.

Maximum fall height for the product is from 7 to 10 ft.

The PLAYGROUND SET is designed for the children of age group **6-14 years old**.



In order to avoid serious or fatal injury IT IS PROHIBITED:

- attendance and participation of children in assembling, disassembling and installation of the PLAYGROUND SET;
- to adjust PLAYGROUND SET by the children;
- to use PLAYGROUND SET by the children without adult supervision;

WARNING
CHILDREN SHOULD USE THE PLAYGROUND SET UNDER ADULT SUPERVISION

- to use PLAYGROUND SET by the children without using appropriate shock-absorbing protective surfacing materials (for your reference see extract from the section 4 of the Consumer Products Safety Commission's “Outdoor home playground safety handbook” in Appendix 1.);

WARNING
USING THE PLAYGROUND SET WITHOUT APPROPRIATE SHOCK-ABSORBING PROTECTIVE SURFACING MATERIALS MAY RESULT IN SERIOUS INJURY OR DEATH FROM FALLS

- to use PLAYGROUND SET by more than 1 child (weight less than 220 lbs) simultaneously.

This OM is applicable for the following models and design of PLAYGROUND SETs: **DSK-1-7.02; DSK-1-8.02**

Safety of the PLAYGROUND SET if verified by:

- TÜV NORD – European Union inspection and testing organizations (www.tuv-nord.com), Certificate No. 44 321 12 404378 from 18th of April 2012.
- State Standard of Russian Federation, Certificate No. “ROSS RU. AE83. B26699 from 25th of March 2011”

TEACH YOUR CHILD SAFE PLAY:

- ☞ Not to walk close to, in front of, behind, or between moving items.
- ☞ Not to twist the swing ropes, or swing empty swing ropes, or loop them over the top support bar, since this may reduce the strength of the rope.
- ☞ Not to swing sideways into the path of adjacent swings.
- ☞ Not to use the equipment in a manner other than that for which it is intended.
- ☞ Not to get off the equipment while it is in motion.
- ☞ Not to climb or swing with wet hands or when the equipment is wet (for ex. after moist cleaning).
- ☞ Not to stand in the rings.
- ☞ Not to use hammers, saws, nails, or wrenches on the equipment.
- ☞ Not to climb on top of the swing support.
- ☞ Not to attach to the playground equipment any item that is not specifically designed for use with the equipment, such as (but not limited to) jump ropes, clotheslines, pet leashes, cables, and chains. These may become strangulation hazards.
- ☞ To watch for other children while swinging or playing near the equipment.

IN ADDITION, ADULTS MUST:

- ☞ Limit climbing and swinging heights to each child's ability.
- ☞ Dress children appropriately for play. Use wellfitting shoes that do not have slippery soles. Avoid ponchos, scarves, hoods, loose-fitting clothing, neckties, and any clothing with a drawstring. Serious injury could result should any part of the children's clothing become entangled in the equipment.

WARNING
STRANGULATION HAZARD!
Children have died when drawstrings on their clothing caught on slides or other playground equipment. Remove ponchos, scarves, hoods, loose-fitting clothing, neckties, and any clothing with a drawstring before children play on the PLAYGROUND SET

- ☞ Verify that suspended climbing ropes are secured and cannot be looped back on itself.
- ☞ Remember that children are inventive. When they develop games that are unsafe, be alert and change the rules.

MAINTENANCE INSTRUCTION

7.1 Check and control of metal constructions of the PLAYGROUND SET

- 1.1 Before using the PLAYGROUND SET it's always necessary to check:
- Integrity of the construction, presence of all elements of the PLAYGROUND SET;
 - Presence of protective plastic plugs and cups on the holders and fasteners where it's provided by the OM;
 - Stability of the PLAYGROUND SET and security of the attachment of the ladder.
- 1.2 Periodically, **at least once a month**, the following should be inspected:
- Tightening of fastening and threaded joints;
 - Absence of displacement of lower (upper) feet from the initial position.

FAILURE TO REGULAR INSPECT AND CHECK PLAYGROUND SET MAY RESULT IN ITS FALL OR TURNOVER!!!

7.2 Check and control of suspended rig.

- 7.2.1 All fastening elements should be effectively tightened.
- 7.2.2 Check fastness of joints and elements of suspensions of rig which are done on the base of ropes and cords.
- 7.2.3 Check integrity of ropes, cords; absence of fraying and damage of fibers of ropes and cords.
- 7.2.4 Check integrity of wood details of suspended rig.

7.3 Adjustments.

- 7.3.1 When fastening joints get loose you must tighten them using standard tools.
- 7.3.2 Install or change closing plugs / plastic cups that cover threaded details when necessary.
- 7.3.3 All wrecked components must be changed for analogues new ones, produced by the Manufacturer of the PLAYGROUND SET.
- 7.3.4 Self-producing of any components of the PLAYGROUND SET is prohibited. Changing wrecked components of PLAYGROUND SET for self-produced components is prohibited.

OPERATION INSTRUCTION

8.1 Safety precautions.

- 8.1.1 Total load applied to the PLAYGROUND SET (including on separate suspended rig) during normal use should not exceed 220 lbs, unless different is stated in the OM of this rig.
- 8.1.2 To reduce the likelihood of serious injuries it is essential to install shock-absorbing protective surfacing under and around your PLAYGROUND SET during the time of using it. The size of such shock-absorbing protective surfacing should be not less than (3.3 x 3.3 x 0,3) ft. The use area should be free of other equipment and obstacles onto which a child may fall.
- 8.1.3 Keep a copy of this OM with your important documents during all the time of using the PLAYGROUND SET.

8.2 Operation instructions.

- 8.2.1 **WARNING! Children should use the PLAYGROUND SET under adult supervision.**
- 8.2.2 Only one child at a time should use this PLAYGROUND SET.
- 8.2.3 Only one type of suspended rig at a time should be used at the PLAYGROUND SET.



Failure to follow safety precautions and operation instructions could result in serious or fatal injury!!

8.3 Recommendations on activity types possible on PLAYGROUND SET.

- 8.3.1 When regularly playing and exercising on the PLAYGROUND SET general physical conditions of a child mostly improve (posture, appetite, sleep).
- 8.3.2 To develop strength and physical dexterity the following exercises may be done:
- on a vertical ladder – climbing up and down the ladder, training of prelum abdominal;
 - on a horizontal bar – pulling up on hands, press on hands;
 - on a suspended rope – pulling up on hands, lifting up along the rope;
 - on a rope ladder – climbing up and down;
 - on a rings and trapeze –pulling up on hands, front (back) handspring, training of prelum abdominal.
- 8.3.3 Exact type of exercises and volume of workload must be determined by adults only after consulting with the specialists (doctors, sport trainers, etc.).

3. EQUIPMENT

3.1 Configuration

- 3.1.1 PLAYGROUND SET is a mountable-and-demountable frame construction consisted of metal tubes fastened thrust between floor and ceiling.
- 3.1.2 To diversify play exercises and games additional rig provided by "LIMIKIDS INC." may be installed on the PLAYGROUND SET. Please contact "LIMIKIDS INC." for additional information.

3.2 Information about materials used and performance.

All material used for manufacturing of PLAYGROUND SET are approved for use in children products manufacturing and have sanitary-epidemiology conclusions of Russian Federation authority and hygiene certificate.

Paints and finishes used on PLAYGROUND SET are in accordance with 16 CFR 1303.

These material were tested concerning lead content in metal and lead in paint in compliance with requirements of CSPIA and were recognized as satisfying these requirements (please see the Certification of Compliance).

In compliance with the requirements of 16 CFR 1500.48, 1500.49 & 1500.53 having followed assembly of the unit in accordance with the OM, there will be no sharp edges, points, or surfaces on any portion of the PLAYGROUND SET capable of inflicting a cut on a child. All open tubing ends that are not resting on the surface, or otherwise covered, is provided with caps or plugs that have a smooth finish and are tight-fitting.

There is no pinch, crush, or shear, points caused by junctures of two components moving relative to one another that could cause a contusion, laceration, abrasion, amputation, or fracture.

There are no acute angles, or group of acute angles, formed by two or more members in which the legs point upward from the apex so that the configuration approximates a "V" with an interior angle less than 55° (0.96 rad).

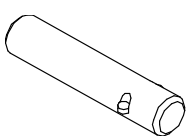
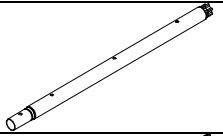
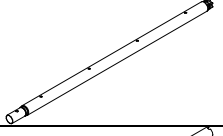
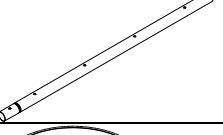

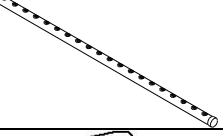

3.3 Differences in design of PLAYGROUND SETS:

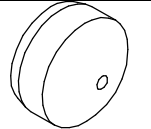
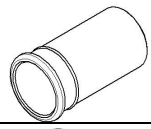
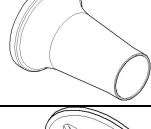

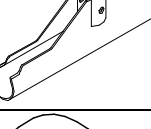
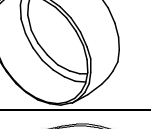
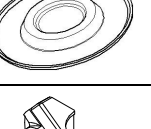
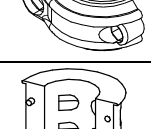
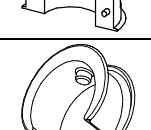
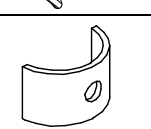
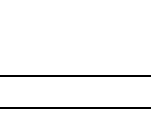
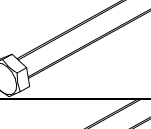
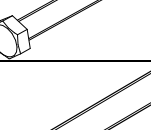
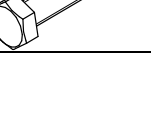
- 3.3.1 Distinctions between modifications of PLAYGROUND SETS:
- DSK-1-7.02-48** – height: 6' 8 9/10" – 8' 11 9/10"
- DSK-1-8.02-48** – height: 7' 7 1/10" – 9' 10 1/10"

4. BASE CONFIGURATION

Base configuration of PLAYGROUND SETs reflected in the Table 2 and 3.

Table 2

| № | Assembly units and details | | Quantity, pcs. | | Plastic bag No. | Packing No. |
|---|-----------------------------------------|---------------------------------------------------------------------------------------|----------------|------------|-----------------|-------------|
| | Assembly units and details | Pic. | DSK-1-7.02 | DSK-1-8.02 | | |
| 2 | Spindle DSK 03.036.00 |  | 1 | | 1 | 1 |
| 4 | Lower Stanchion 1.DSK 72.02 |  | 1 | - | | 1 |
| | Lower Stanchion 1.DSK 58.02 |  | - | 1 | | |
| 5 | Upper Stanchion DSK 01.164.02 |  | 1 | | | 1 |
| 7 | Gasket DSK 05.075.00 |  | 3 | | 1 | 1 |
| 8 | Inset with closing plug 1.DSK 049.00 |  | 1 | | | 1 |
| 9 | Case DSK 05-011 |  | 6 | | 1 | 1 |

| | | | | | |
|-----------------------|------------------------------------|-------------------------------------------------------------------------------------|---|---|---|
| 10 | Closing plug DSK 05-012 |  | 6 | 1 | 1 |
| 13 | Bushing DSK 05-091 |  | 1 | 1 | 1 |
| 14 | Hood DSK 05-040 |  | 1 | | 1 |
| 17 | Upper Foot DSK 05-037 |  | 2 | 1 | 1 |
| 19 | Bracket DSK 02.158.00 |  | 1 | | 1 |
| 20 | Closing plug 05-022 |  | 2 | 1 | 1 |
| 24 | Lower Foot DSK 02.050.00 |  | 1 | 1 | 1 |
| 31 | 1.DSK 42x25Pl.001 |  | 4 | 1 | 1 |
| 33 | Semi-bushing DSK 05-043 |  | 4 | 1 | 1 |
| 34 | Reel-Clips DSK 05.056.00 |  | 4 | 1 | 1 |
| 38 | Half-ring DSK 05.072.00 |  | 4 | 1 | 1 |
| 108 | Upper link DSKM-VO 92.24.001-03 | | 1 | | 1 |
| Standard tools | | | | | |
| 61 | Bolt M8x45 mm |  | 3 | 1 | 1 |
| 62 | Bolt M8x55 mm |  | 1 | 1 | 1 |
| 67 | Bolt M16x110 mm |  | 1 | 1 | 1 |

6.3.4. Mounting Gym

- I. Install bar (item 108, fig 5). **Screws (item 93; 94) should not be fastened tight, closing plugs item 140; 141 should not be installed.**
- II. Strut off the assembled pole by unscrewing bolt (item 67). Ensure that the pole is well leveled. When all the upper foots touch with the ceiling necessarily do 1-3 revolution of the bolt (item 67) and lock it by the screw nut (item 77). Put the hood (item 14) down until it stops;

Ensure that the link (item 108) is well leveled horizontally and tighten firmly bolts (item 93, 94), Install closing plugs item 140; 141.

- III. Put the reel-clips (item 34), closing plugs (item 84), and closing plugs (item 86)

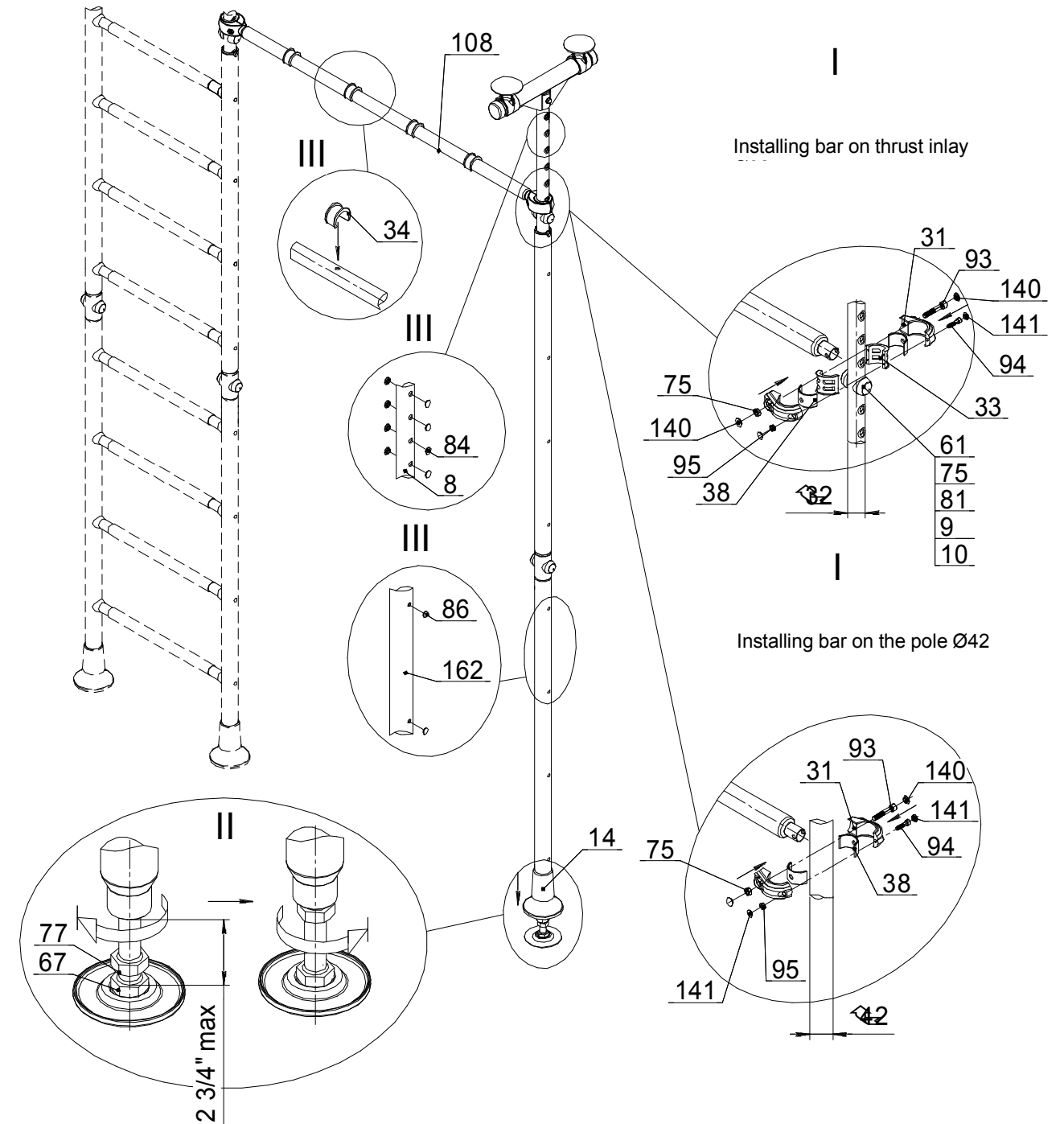


Fig 5

6.4 Control of assembling accuracy

With the help of plumb line check whether the pole's stanchion is positioned vertically relative to the floor. If there is deviation you should release bolts (item 67) and provide a vertical lever with the help of plumb line. After that you must finally fix stanchions between ceiling and floor with the help of bolts (item 67)

6.3.3. Strut off the assembled pole (Pic4)

- I. Insert the insert (item 8, Table 2) into the upper stanchion (item 5, Table 2) until it stops; **put the hood (item 14, Table 2) onto the lower stanchion (item 4, Table 2)**; establish the lower foot (item 24, Table 2) with the gasket (item 7, Table 2).
- II. Lift the insert up until it touches the ceiling, insert spindle (item 2, Table 2) and slowly let the insert slide down

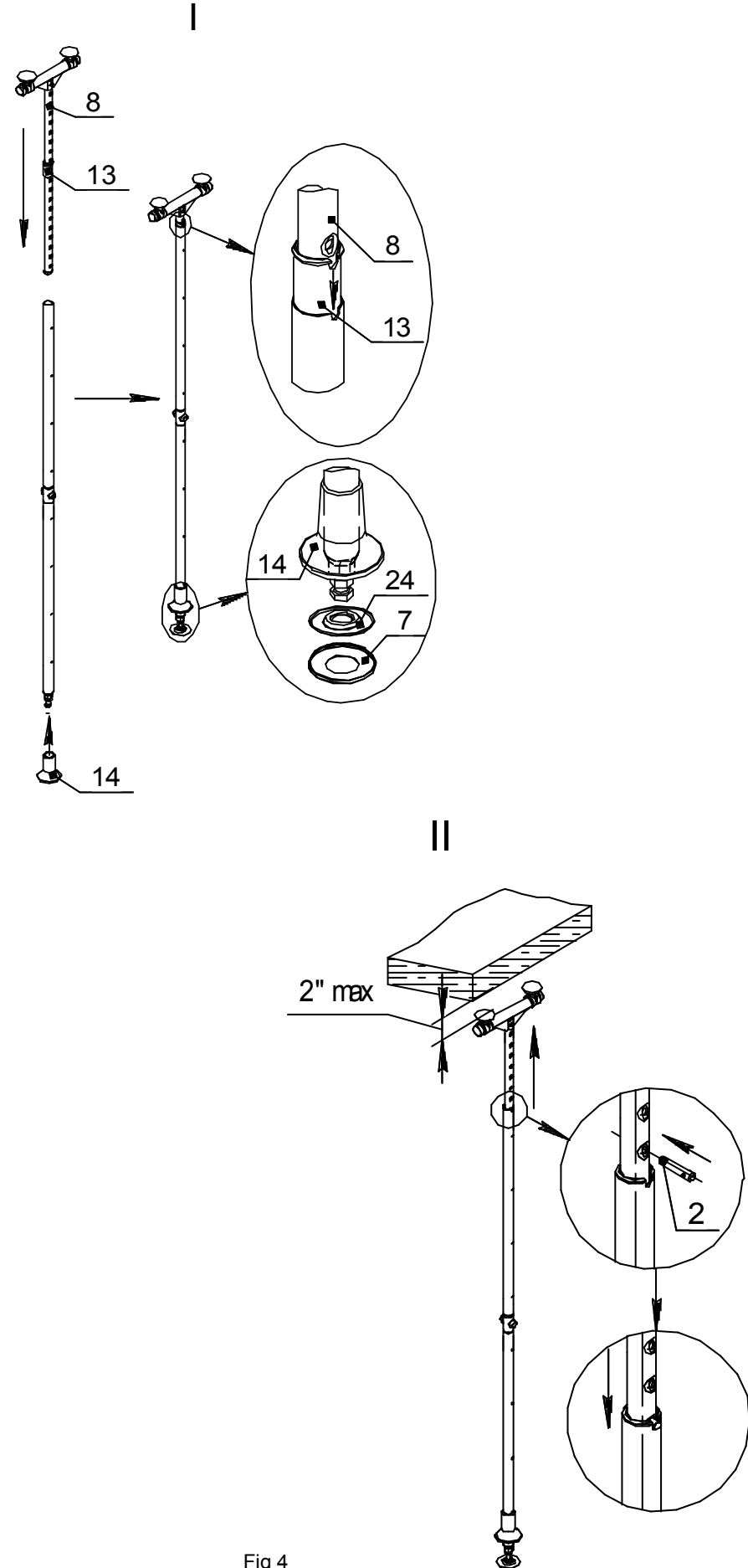


Fig 4

| | | | | | |
|----------------------|---------------------------|--|----|----|---|
| 75 | Nut M8.6.016 | | 4 | 1 | 1 |
| 77 | Nut M16.6.016 | | 1 | 1 | 1 |
| 81 | Washer 8.01.016 | | 8 | 1 | 1 |
| 84 | Closing plug D10 mm | | 22 | 1 | 1 |
| 86 | Closing plug D8,5 mm | | 14 | 16 | 1 |
| 93 | Screw M8x45.58.016 | | 2 | 1 | 1 |
| 94 | Screw M6x30.58.016 | | 2 | 1 | 1 |
| 95 | Nut M6.6.016 | | 2 | 1 | 1 |
| 140 | Closing plug D17 | | 4 | 1 | 1 |
| 141 | Closing plug D12 | | 4 | 1 | 1 |
| | Face wrench S=24x13 mm | | 1 | 1 | 1 |
| | Hex-nut wrench S=6 mm | | 1 | 1 | 1 |
| | Hex-nut wrench S=5 mm | | 1 | 1 | 1 |
| Documentation | | | | | |
| Operation Manual | | | | | 1 |

BASE CONFIGURATION UNITS AND DETAILS OF PLAYGROUND SET

Table 3

| Step-ladder with height 5' | Plumb line | Level gauge with length 3' |
|----------------------------|------------|----------------------------|
| | | |

ASSEMBLY INSTRUCTION

5.1 Operating restrictions.

- 5.1.1 Wood ceilings are not applicable for installation of the PLAYGROUND SET.
- 5.1.2 Suspended ceilings/underroofs are not applicable for installation of the PLAYGROUND SET.
- 5.1.3 Do not install the PLAYGROUND SET in the corners of the housing accommodations.
- 5.2 **The placement of the PLAYGROUND SET in the housing accommodation.**
- 5.2.1 Acceptable size of unevenness of the ceiling and floor should not be more than 0.2 in.
- 5.2.2 Free access to the PLAYGROUND SET should be provided.
- 5.2.3 Place the equipment on the floor, not less than 6 ft from any structure or obstruction such as a wall, furniture, window, overhanging branches of plant, laundry lines, electrical wires, etc.

WARNING!

You must assemble this product as instructed. Do not allow children to play on equipment that has not been properly assembled. Serious or fatal injury could result. If you have any questions about the assembly of your purchase, contact "LIMIKIDS INC." at +1(416)8455439

6.1 Preparation to the installation, tools and equipment.

- Read these instructions in their entirety before you begin. This will help ensure an easy and safe installation.
- 6.1.1. Unpack the PLAYGROUND SET. To avoid danger of suffocation, remove the plastic covers from all components before using them. This cover should then be destroyed or kept away from children.
 - 6.1.2 Put components on preliminary prepared place (a table, a place on floor).
 - 6.1.3 Inventory your package. Make sure that package contents match the base configuration of your PLAYGROUND SET.
 - 6.1.4 During assembly you will need the following tools, specified in the Table 4:

| Description | Quantity, pcs. |
|----------------------------------------------|---------------------------|
| Allen key 24x13mm | 1 (included into set DSK) |
| Hex-nut wrench S=6 mm | 1 (included into set DSK) |
| Hex-nut wrench S=5 mm | 1 (included into set DSK) |
| Plumb line (or thin rope with attached load) | 1 Does not included |
| Level gauge with length 3' | 1 into PLAYGROUND |
| Step-ladder with height 5' | 1 SET |

6.2 Safety precautions.

- 6.2.2 Assembling, disassembling and installation of the PLAYGROUND SET must be done by not less than 2 adults
- 6.2.3 Attendance and participation of children in assembling, disassembling and installation of the PLAYGROUND SET is not allowed.
- 6.2.4 Assembly of the PLAYGROUND SET must be conducted in strict succession to the instructions, given in OM.

6.3 Succession of assembling and installation of the PLAYGROUND SET.

6.3.2 Connect lower and upper stanchions

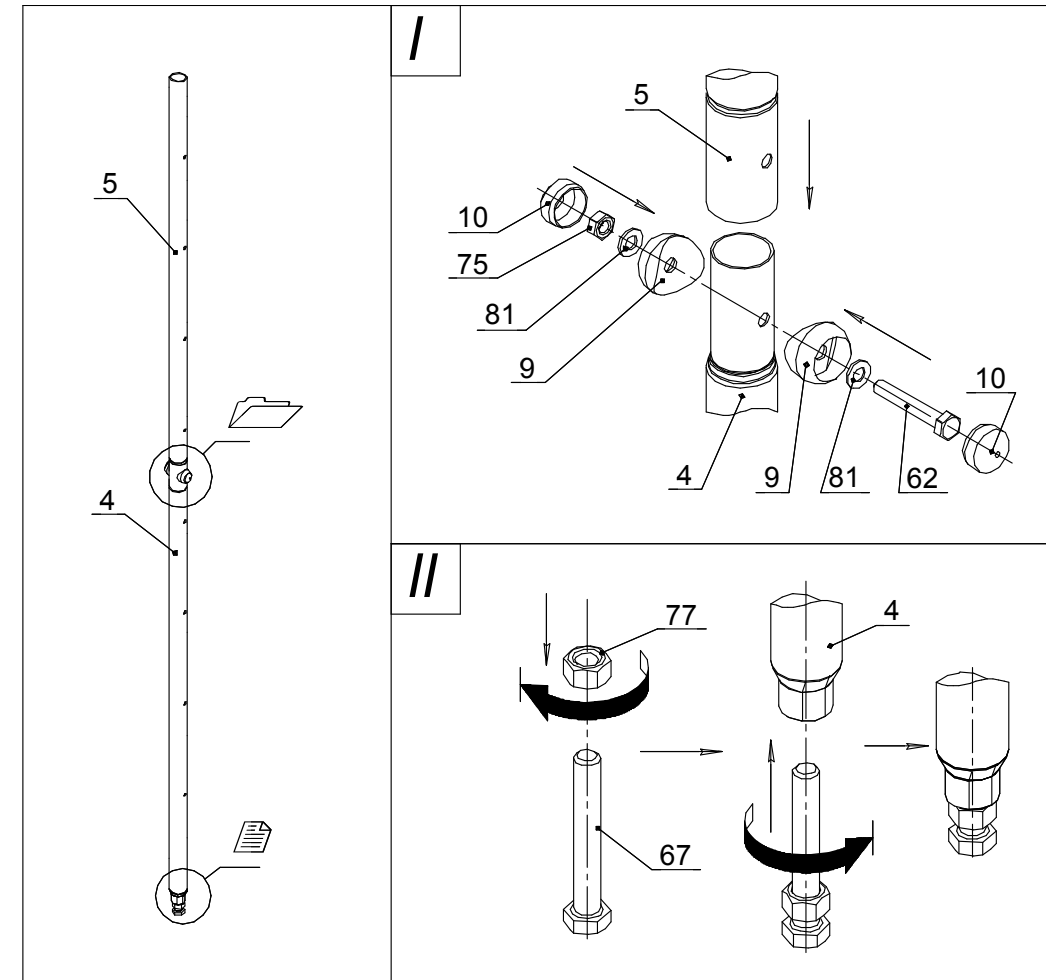


Fig. 2

6.3.3 Assemble the upper support with the insert

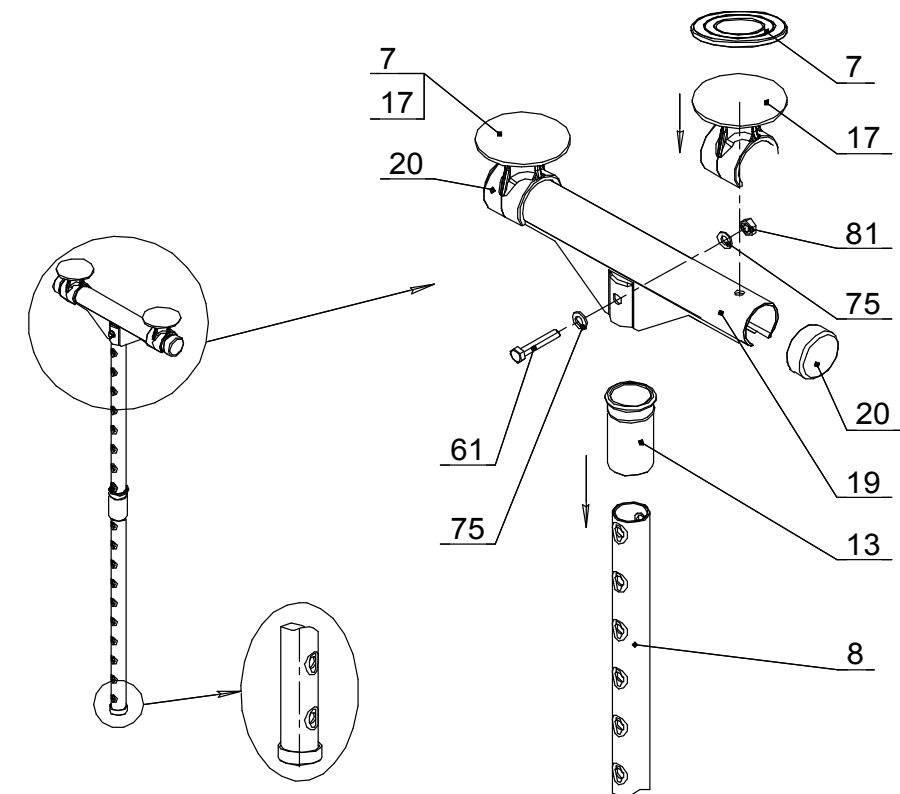


Fig 3
9